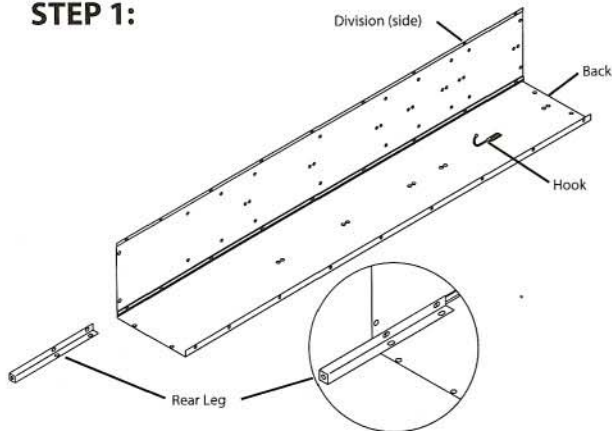


BASIC ASSEMBLY OF SINGLE ROW LOCKERS

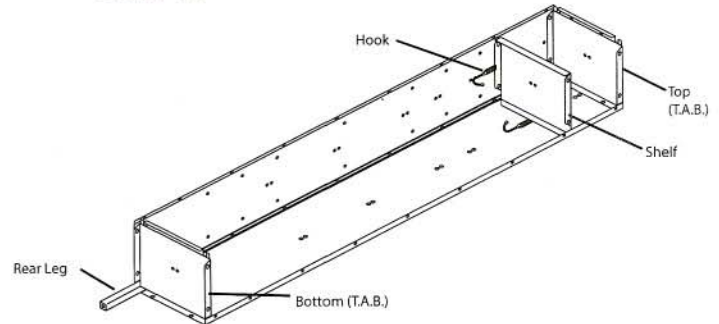
STEP 1:



A. Bolt hook to back panel.

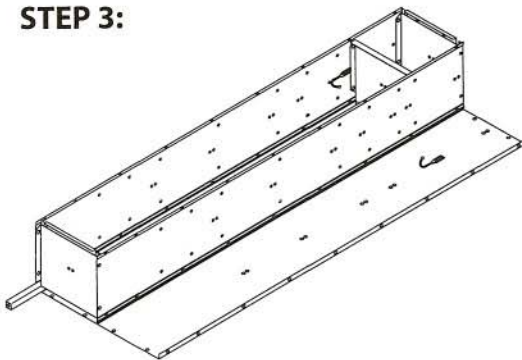
B. Place division inside the back and bolt together.
If legs are required, use 10-24 x 1/2" bolts to fasten legs at the bottom.

STEP 2:



A. Bolt top, bottom, & shelf to back and side panel.

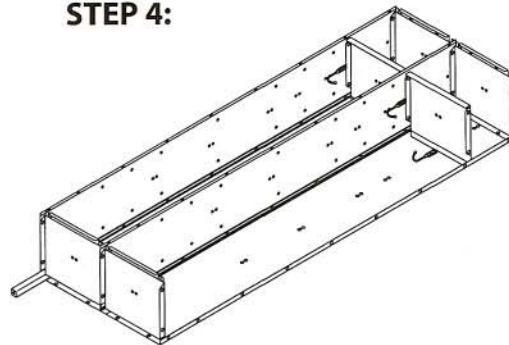
STEP 3:



A. Bolt hook to second back.

B. Bolt second back and second side panel to first back panel.

STEP 4:



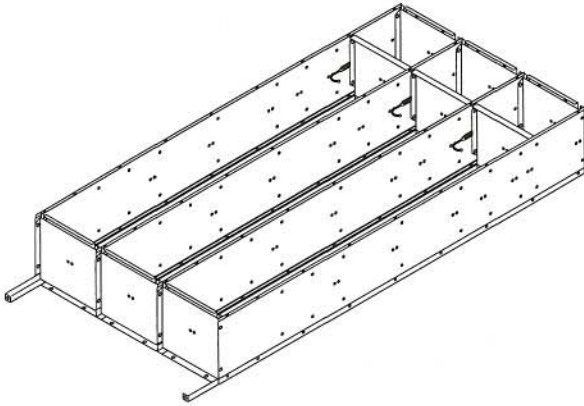
A. Bolt second set of top, bottom, & shelf, and hooks to back and side panel. If coat rod is required, install in first locker.

B. Continue as in steps 3 and 4 until the desired number of units for the group are assembled, then proceed to step 5.

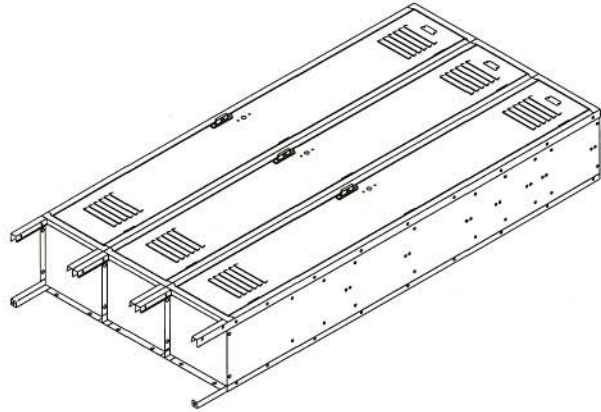
INSTALLING COAT ROD

(Add this procedure to step 2) before installing top, bottom, and shelf, install coat rod hooks on the inside of side panels and/or both sides of partition using a common bolt (where possible). Spread apart side panels and insert coat rod into coat rod holder on the coat rod hook.

STEP 5:



STEP 6:



A. Place second leg into position (between bottom and back).
* Distance between back legs should not exceed 45 inches.

B. Place fourth side panel in position and bolt to top, bottom, shelf, hooks, back leg, and bottom.

C. Bolt double prong hooks to hat shelves.

A. Place door and frame assemblies in position with the top, bottom, and side panels inside the door frames and bolt to sides, tops, and bottoms.

* If two or more groups are to be joined together, omit bolts through joining door frame and sides.

STEP 7:

- A. Set groups in place.
- B. Use 10-24 x 1/2 bolts to bolt joining door frames and backs of each locker group.
- C. Rivet number plates to top of doors.
- D. Bolt built-in locks or door pulls or lock hole cover plates to inside of door.
- E. Adjust doors and latches to operate without binding. Verify that latches are operating satisfactorily.

Top View of Two Groupings of Three Lockers

